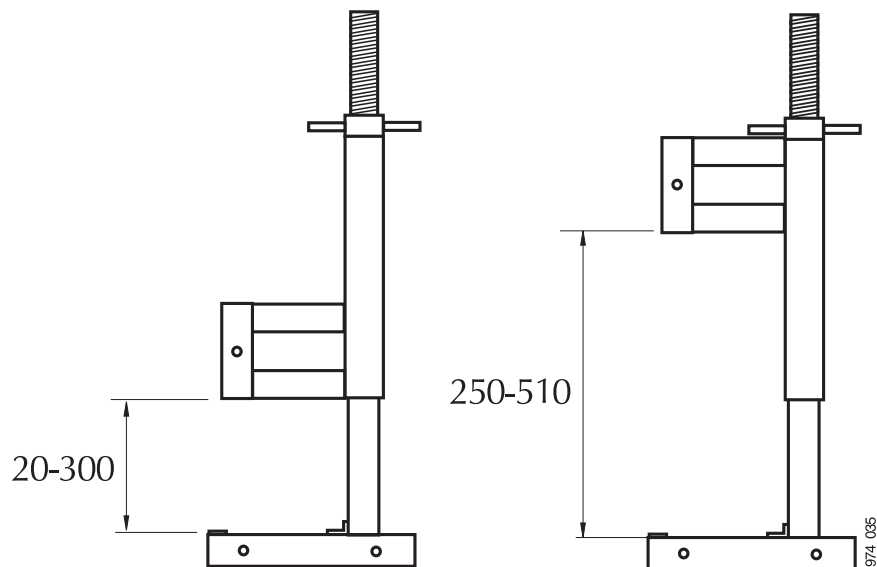
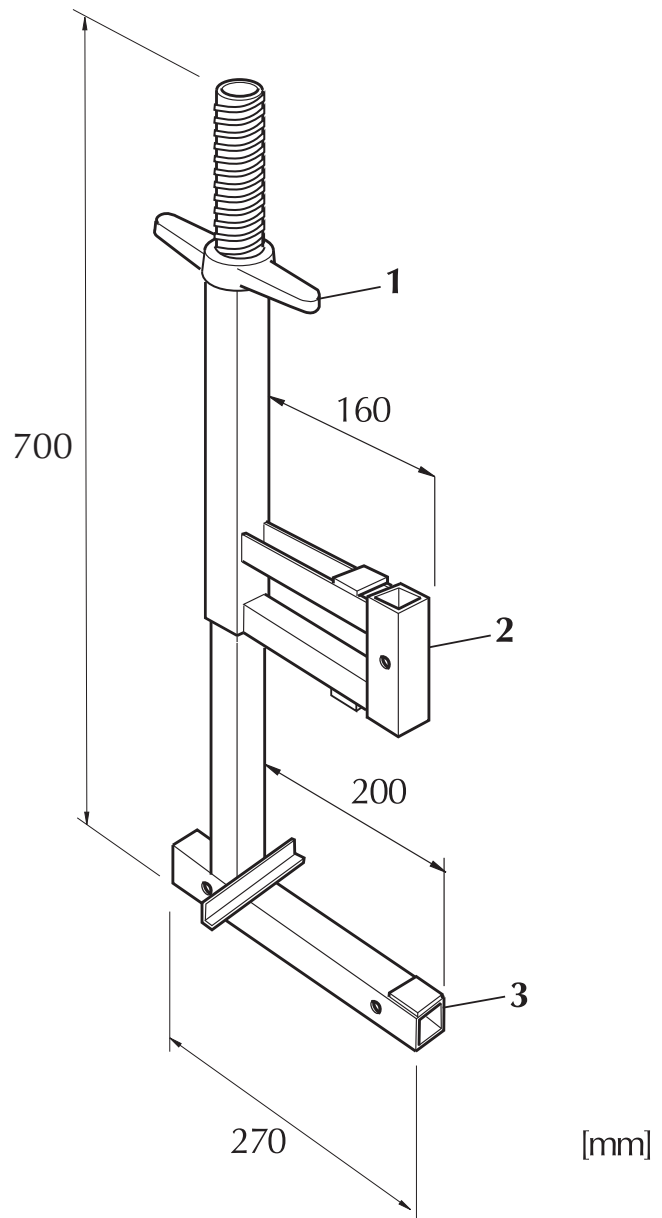


## SMB SYSTEM S

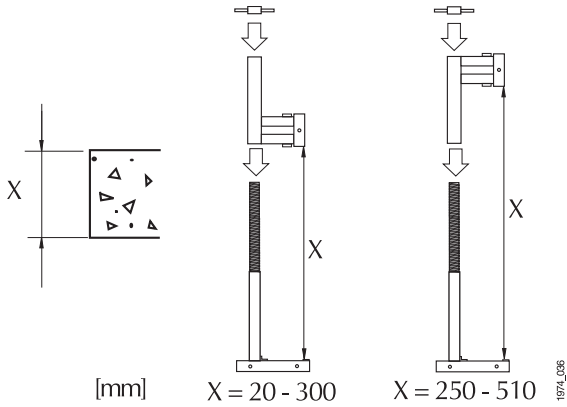
6,0 kg

EN 13374-A

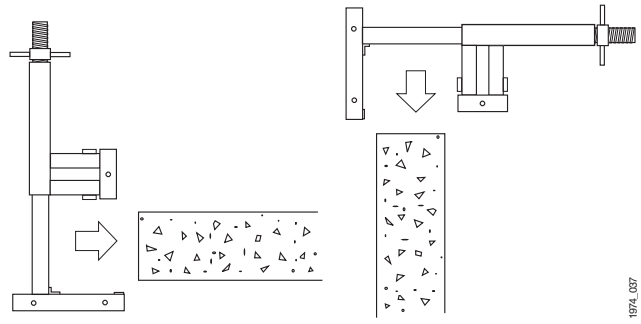
| No | Art. No |
|----|---------|
| 1  | 10388   |
| 2  | 10385   |
| 3  | 10386   |



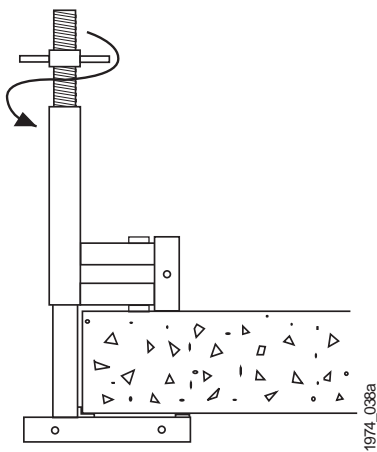
1.



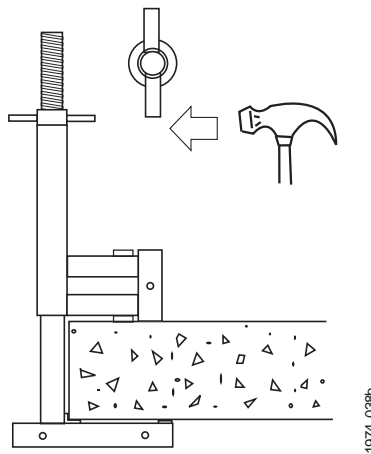
2.



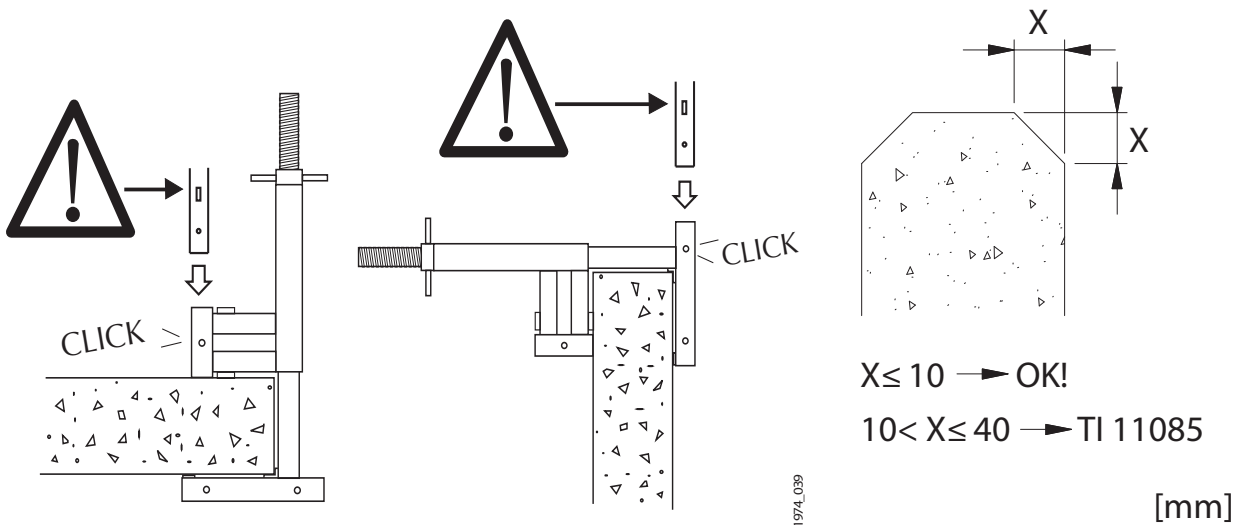
3.



4.



5.



$X \leq 10 \rightarrow \text{OK!}$   
 $10 < X \leq 40 \rightarrow \text{TI 11085}$

[mm]

1974\_040